



RP22PWDLDIRV305 USB2.0 RGB/IR Lens Double Camera



| | |
|-----------------------------|---|
| 1.Product feature(产品特性) | 2 |
| 2. SPECIFICATIONS(规格书) | 3 |
| 3. Product (产品尺寸) | 4 |
| 4. Filter wavelength(滤光片光谱) | 5 |
| 5.LENS Specification(镜头规格书) | 6 |
| 6. Cover Proportion (外壳成份) | 6 |
| 7. Modes of packing (包装方式) | 6 |



USB2.0 RGB/IR Lens Double Camera

1.Product feature(产品特性)

- 1/2.7"200 万+200 万高清图像传感器
- RGB:105DB 宽动态, IR: 80DB 适合复杂的光线环境
- 100° (对角) 超广角无畸变高清 300W 像素高清镜头
- 40CM 到无限远清晰成像
- 1000TVL 清晰度
- 0.01Lux (F=1.2) 超低照效果
- 1.8W 功耗
- -20°C~+70°C 宽温度范围稳定工作
- 专业 USB-IF WHQL ROHS CE (4KV/8KV) 认证 (可通过)
- USB2.0 高速传输
- 设备名称 厂家 PID&VID 等描述信息多样化定制
- UVC 架构, 兼容 Windows XP&7&8.1&LINUX&MAC 多种系统
- 长达 1-5 年的质保期&13 万小时无故障寿命
- 标准 AWM 2725 28AWG/IP 24AWG/2C USB2.0 线
- 平台最低配置: CPU 1.7GHZ 512MB 内存 40GB 硬盘 XP SP2 系统
-



2. SPECIFICATIONS (规格书)

| Signal | 2M(IR) B/W ➡ | 2M(RGB) WDR ➡ | REMARKS |
|-----------------------------------|---|---|---------------------|
| Scanning System (扫描方式) | Progressive scan | | |
| Scanning Frequency(H) (扫描频率) | 25HZ | 25HZ | |
| Scanning Frequency(V) | N:59.9HZ/P:50HZ | N:59.9HZ/P:50HZ | |
| Image Sensor (图像感光片) | 1/2.7" CMOS | 1/2.7" CMOS | PrimeSensor |
| Effective Pixels (有效像素) | 1920*1080 | 1920*1080 | |
| Pixel size (像素点大小) | 3.0umX3.0um | 3.0umX3.0um | |
| Image sensor Data output (数据输出类型) | Raw Data 12bits | | |
| Video output (输出格式) | MPJG / YUY2 | | |
| Maximum Frame Rates (分辨率和帧率) ➡ | 1920x1080 at 30fps /1280x1024 at 30fps /1280x768 at 30fps /1024x720 at 30fps /960x540 at 30fps /800x600 at 30fps /640x480 at 30fps/352*288 at 30fps/320*240 at 30fps/160*120 at 30fps | 1920x1080 at 30fps /1280x1024 at 30fps /1280x768 at 30fps /1024x720 at 30fps /960x540 at 30fps /800x600 at 30fps /640x480 at 30fps/352*288 at 30fps/320*240 at 30fps/160*120 at 30fps | MJPG |
| Maximum Frame Rates (分辨率和帧率) ➡ | 1920x1080 at 5fps /1280x1024 at 10fps /1280x768 at 10fps /1024x720 at 10fps /960x540 at 15fps 800x600 at 20fps /640x480 at 30fps/352*288 at 30fps/320*240 at 30fps/160*120 at 30fps | 1920x1080 at 5fps /1280x1024 at 10fps /1280x768 at 10fps /1024x720 at 10fps /960x540 at 15fps 800x600 at 20fps /640x480 at 30fps/352*288 at 30fps/320*240 at 30fps/160*120 at 30fps | YUY2 |
| SNR max (信噪比) | ≥50dB | ≥50dB | |
| Dynamic range (动态范围) | ≥80dB | ≥95dB | |
| Min. Illumination (最低照度) | ≥0.01LUX at F1.2 | ≥0.01LUX at F1.2 | NO LED |
| Digital interface (连接接口) | 1*2-pin 1.25mm//2*GH5*1.25mm USB2.0 | | |
| Transfer rates (接口速度) | 480MB/S | | |
| Power requirements (电源) | 5V±0.5 | | |
| Power Consumption (功率) | NO LED | Max 1.2W | |
| | IR-LED | Max 1.8W | 低功耗 |
| LED IR-850(红外灯光强) | ≤70° 1.0m | NO | LED |
| Lens Mount (可搭配镜头类型) | M12(f=3.5MM) | | |
| Lens view (默认镜头) | M12/ H=53° V= 90° | | LENS |
| Dimensions(PCBA) mm尺寸 | 70mm*17mm*18mm | | 长*深*高 |
| OS (支持系统) | Windows XP /vista/seven/8.1/Mac linux2.6.2(include UVC) | | |
| General Purpose辅助接口定义 | 5V+ | LED+ | 250mA max |
| | GND | LED- | |
| USB CONN接口定义 | 1 | 5V | USB POWER-500mA max |
| | 2 | DM | D+ |
| | 3 | DP | D- |
| | 4 | GND | DGND |
| | 5 | COVER | SHIELD |



Common (简介)

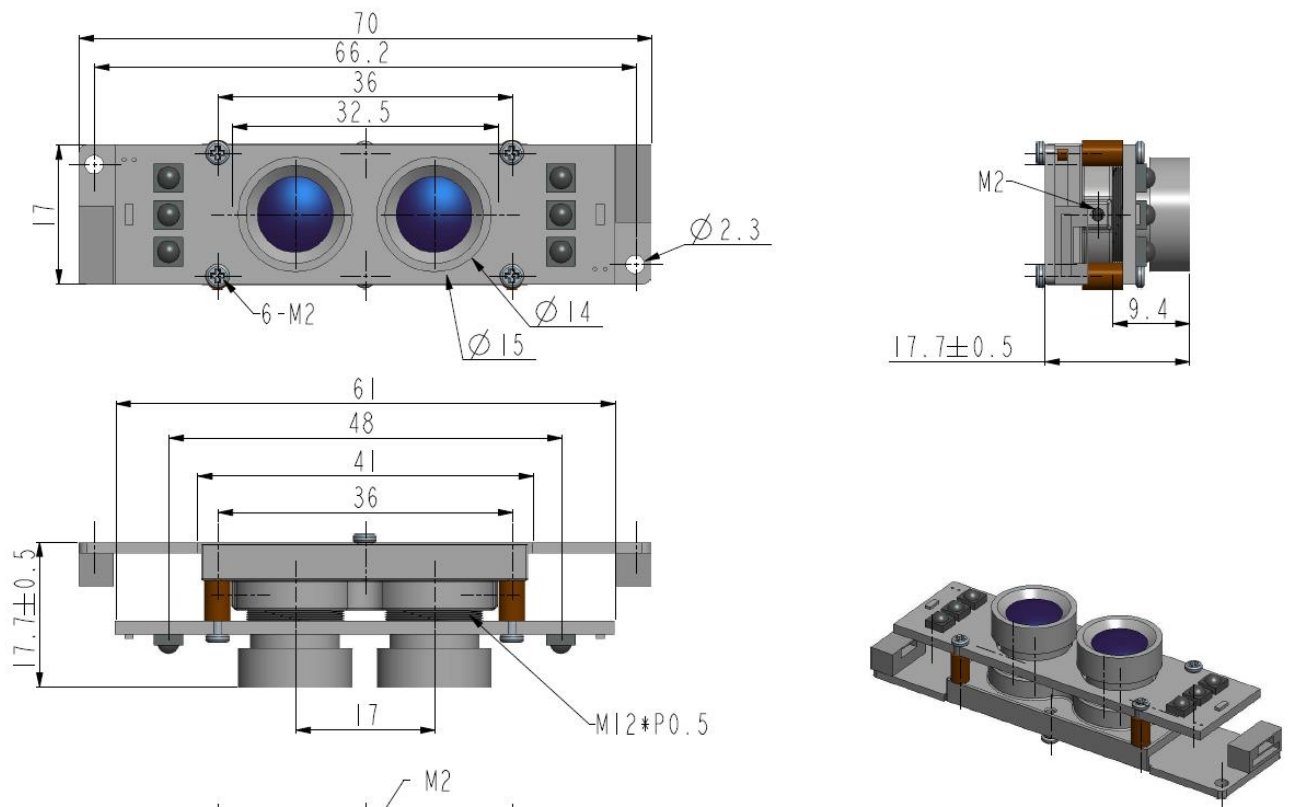
Attention: 注意:

1. professional SDK support for second develop. 专业的 SDK 支持二次开发

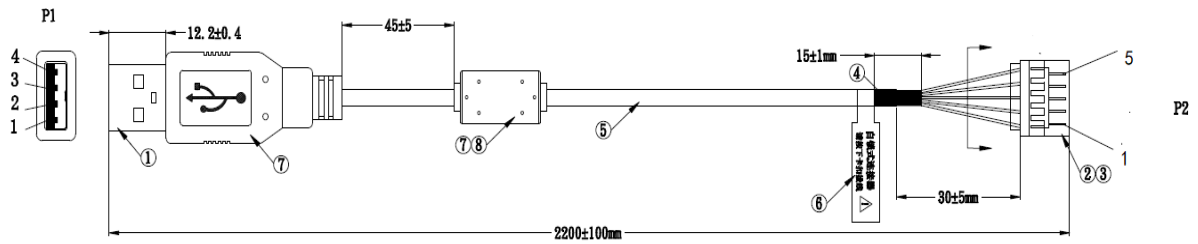
2. VID&PID(公司&产品识别码): IR:1871& 1501 / ASPIRE***** RGB:1871& 1130 / ASPIRE*****

3.Product Dimension (产品尺寸)

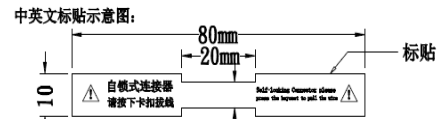
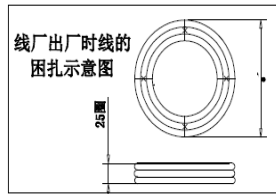
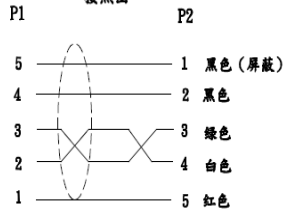
A 产品设计尺寸图



B.USB2.0 data line specification 数据线规格书



接点图



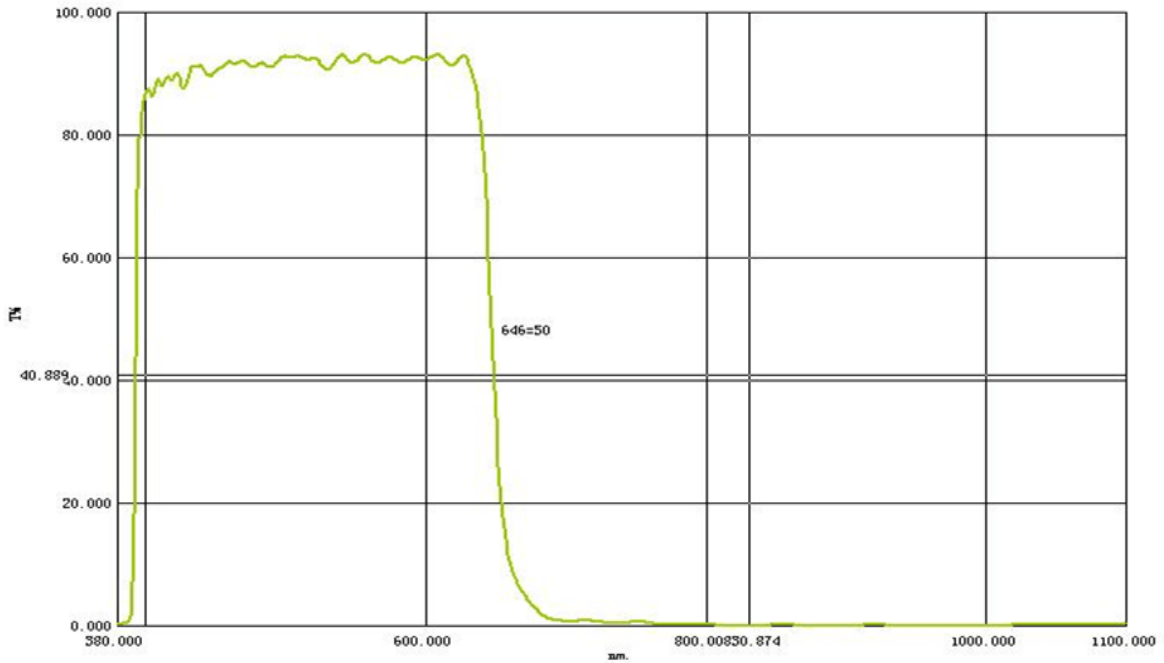
备注:

1. 成品须做100%电性测试, 不能有断路, 短路, 错位, 间歌接触不良等状况
2. 导通阻抗 $\leq 3\Omega$; 绝缘 $\geq 50\text{M}\Omega$; DC300/0.01s;
3. 所有物料需符合普通环保要求

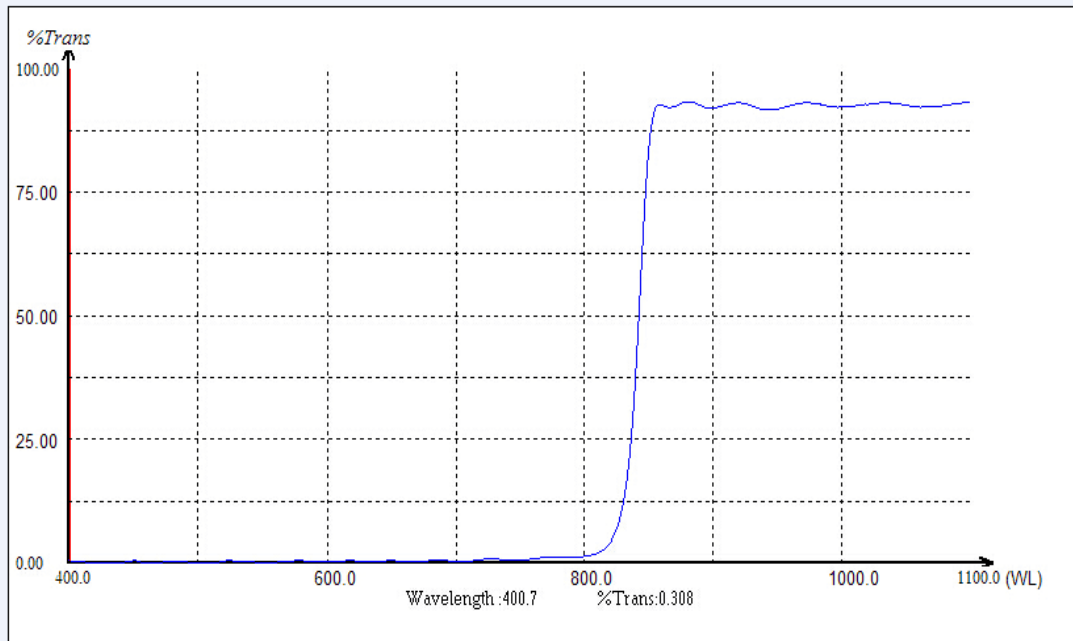
材质: 不干胶 字体颜色: 黑色
 标贴内容:
 自锁式连接器 请按下卡扣接线 Self-locking Connector please press the button to pull the wire
 标签: 自锁式连接器 请按下卡扣接线
 ▲: 黑色边框黄色警告标示

4.Filter wavelength (滤光片光谱)

C1.RGB Filter wavelength (彩色滤光片光谱)

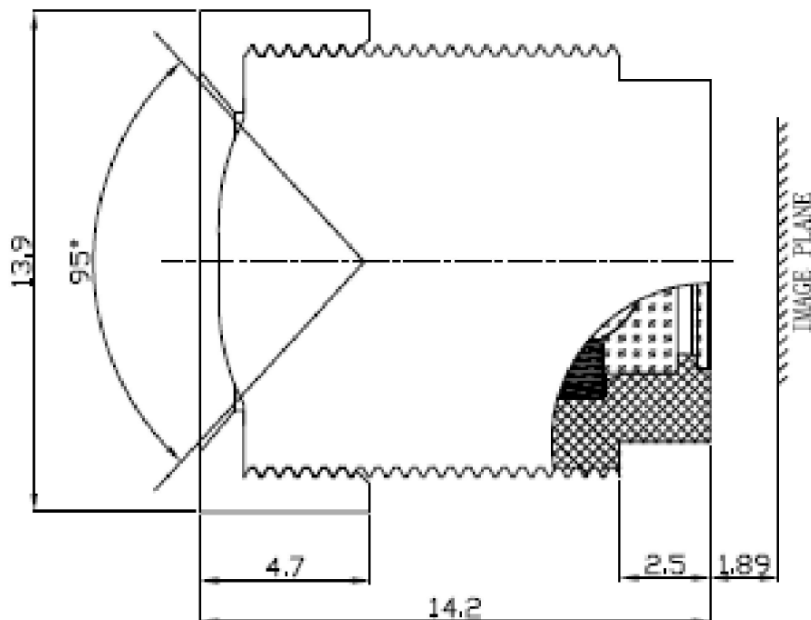


C2.IR Filter Wavelength(黑白滤光片光谱)



5.LENS Specification(镜头规格书)

| SPECIFICATION | | |
|---------------------|------------------|-----------------|
| NO. | ITEM | CONTENT |
| 1 | TTL | 16.6±0.1MM |
| 2 | EFL | 2.9MM±3% |
| 3 | F/NO. | F2.4 |
| 4 | BFL(D) | 2.8±0.1MM |
| 5 | BFL(M) | 1.89±0.1MM |
| 6 | MAX IMAGE CIRCLE | Ø6.9 |
| 7 | MOUNT | M12*P0.5 |
| 8 | CONSTRUCTION | 2G+2P+1R(窄带680) |
| ITEM | | for Sensor |
| | | 1/2.7" |
| 视场角 (FOV) | Horizontal | 90°±2° |
| | Vertical | 58°±2° |
| | Diagonal | 95°±2° |
| 光学畸变 (DISTORTION) | | <0.7% |
| 相对照度 (Relative ill) | | ≥45% |



| | | | | | | | | | |
|--------|-----------|---|--|--|--|------------|---------|-------|-------|
| common | tolerance | 4 | | | | Part Name: | Model: | Unit | mm |
| Angle | ±0.5° | 3 | | | | PO/2A17 | 3M Lens | Scale | SCALE |

6.Cover proportion(mm) (外壳成份)

| NO. | component | Proportion | NOTE |
|-----|-----------|------------|------|
|-----|-----------|------------|------|



| | | | |
|---|----------|----------|--|
| 1 | ZN | 96.2000% | |
| 2 | CU | 0.0160% | |
| 3 | Aluminum | 3.7000% | |
| 4 | Fe | 0.0030% | |
| 5 | Pb | 0.0025% | |
| 6 | Sn | 0.0004% | |
| 7 | Mg | 0.0030% | |

7. Modes of packing (包装方式)

