



C-RP38WTLTIR USB2.0 RGB/IR Lens Double Camera



1.Product feature(产品特性)	2
2. SPECIFICATIONS(规格书)	3
3. Product (产品尺寸)	4
4. Filter wavelength(滤光片光谱)	5
5.LENS Specification(镜头规格书)	6
6. Cover Proportion (外壳成份)	6
7. Modes of packing (包装方式)	6



USB2.0 RGB/IR Lens Double Camera

1.Product feature(产品特性)

- 1/3" 工业级高清图像传感器
- RGB:100DB 宽动态, IR: 80DB 适合复杂的光线环境
- 100° (对角) 超广角无畸变高清 500W 像素高清镜头
- 40CM 到无限远清晰成像
- 1500TVL 清晰度
- 0.01Lux (F=1.2) 超低照效果
- 3.0W 功耗
- -30°C~+70°C 宽温度范围稳定工作
- 专业 USB-IF WHQL ROHS CE (4KV/8KV) 认证 (可通过)
- USB2.0 高速传输
- 设备名称 厂家 PID&VID 等描述信息多样化定制
- UVC 架构, 兼容 Windows XP&7&8.1&LINUX&MAC 多种系统
- 长达 1-5 年的质保期&3 万小时无故障寿命
- 表面雅黑喷涂锌镁合金外壳高强度碰撞防护
- 标准 AWM 2725 28AWG/IP 24AWG/2C USB2.0 线
- 平台最低配置: CPU 1.7GHZ 512MB 内存 40GB 硬盘 XP SP2 系统



2. SPECIFICATIONS (规格书)

Common (简介)

Signal	3M(IR) B/W	3M(RGB) WDR	REMARKS	
Scanning System (扫描方式)	Progressive scan			
Scanning Frequency(H) (扫描频率)	25HZ	25HZ		
Scanning Frequency(V)	N:59.9HZ/P:50HZ	N:59.9HZ/P:50HZ		
Image Sensor (图像感光片)	1/3" CMOS	1/3" CMOS	Aptina	
Effective Pixels (有效像素)	2048*1536	2048*1536		
Pixel size (像素点大小)	2.2umX2.2um	2.2umX2.2um		
Image sensor Data output (数据输出类型)	Raw Data 10bits			
Video output (输出格式)	MPJG / YUY2			
Maximum Frame Rates (分辨率和帧率)	2048x1536 at 5fps 1920x1080 at 25fps 1600x1200 at 25fps 1280x1024 at 25fps 1280x720 at 25fps 1024x768 at 25fps 800x600 at 25fps 640x480 at 25 fps 352x288 at 25fps 320x240 at 25fps 160x120 at 25fps	2048x1536 at 5fps 1920x1080 at 25fps 1600x1200 at 25fps 1280x1024 at 25fps 1280x720 at 25fps 1024x768 at 25fps 800x600 at 25fps 640x480 at 25 fps 352x288 at 25fps 320x240 at 25fps 160x120 at 25fps	MJPG	
Maximum Frame Rates (分辨率和帧率)	2048x1536 at 3fps 1920x1080 at 4fps 1600x1200 at 5fps 1280x1024 at 7fps 1280x720 at 9fps 1024x768 at 10fps 800x600 at 20fps 640x480 at 25 fps 352x288 at 25fps 320x240 at 25fps 160x120at 25fps	2048x1536 at 3fps 1920x1080 at 4fps 1600x1200 at 5fps 1280x1024 at 7fps 1280x720 at 9fps 1024x768 at 10fps 800x600 at 20fps 640x480 at 25 fps 352x288 at 25fps 320x240 at 25fps 160x120at 25fps	YUY2	
SNR max (信噪比)	≥38dB	≥40dB		
Dynamic range (动态范围)	≥80dB	≥100dB		
Min. Illumination (最低照度)	≥0.01LUX at F1.2	≥0.1LUX at F1.2	NO LED	
Digital interface (连接接口)	1*2-pin 1.25mm//1*5-pin 1.25mm USB2.0			
Transfer rates (接口速度)	480MB/S			
Power requirements (电源)	5V±0.5			
Power Consumption (功率)	NO LED	Max 2.0W		
	IR-LED	Max 3.0W		
LED IR-850(红外灯光强)	≤90° 1.0m	NO	LED	
Lens Mount (可搭配镜头类型)	M12(f=3.5MM)			
Lens view (默认镜头)	M12/ H= 85°		LENS	
Dimensions(PCBA) mm尺寸	42mm*32mm*27mm		长*高*深	
OS (支持系统)	Windows XP /vista/seven/8.1/Mac linux2.6.2(include UVC)			
General Purpose辅助接口定义		5V+	LED+	250mA max
		GND	LED-	
		GPIO	ONPUT	8mA max
		GND	DGND	
USB CONN接口定义	1	5V	USB POWER-500mA max	
	2	DM	D+	
	3	DP	D-	
	4	GND	DGND	
	5	COVER	SHIELD	

Attention: 注意:

- Brightness Sharpness Contrast Hue Saturation Gamma Automatic white balance Back light Exposure can be controlled ; 亮度; 锐度; 对比度; 色温; 饱和度; 伽马; 白平衡; 曝光可以控制; (B/W 不支持)

固化参数	亮度	对比度	色调	饱和度	清晰度	伽玛	白平衡	逆光对比	增益	曝光	镜像
最小值	-64	0	-40	0	0	72	2800	0	0	-13	0
最大值	64	64	40	128	6	500	6500	2	100	-1	3

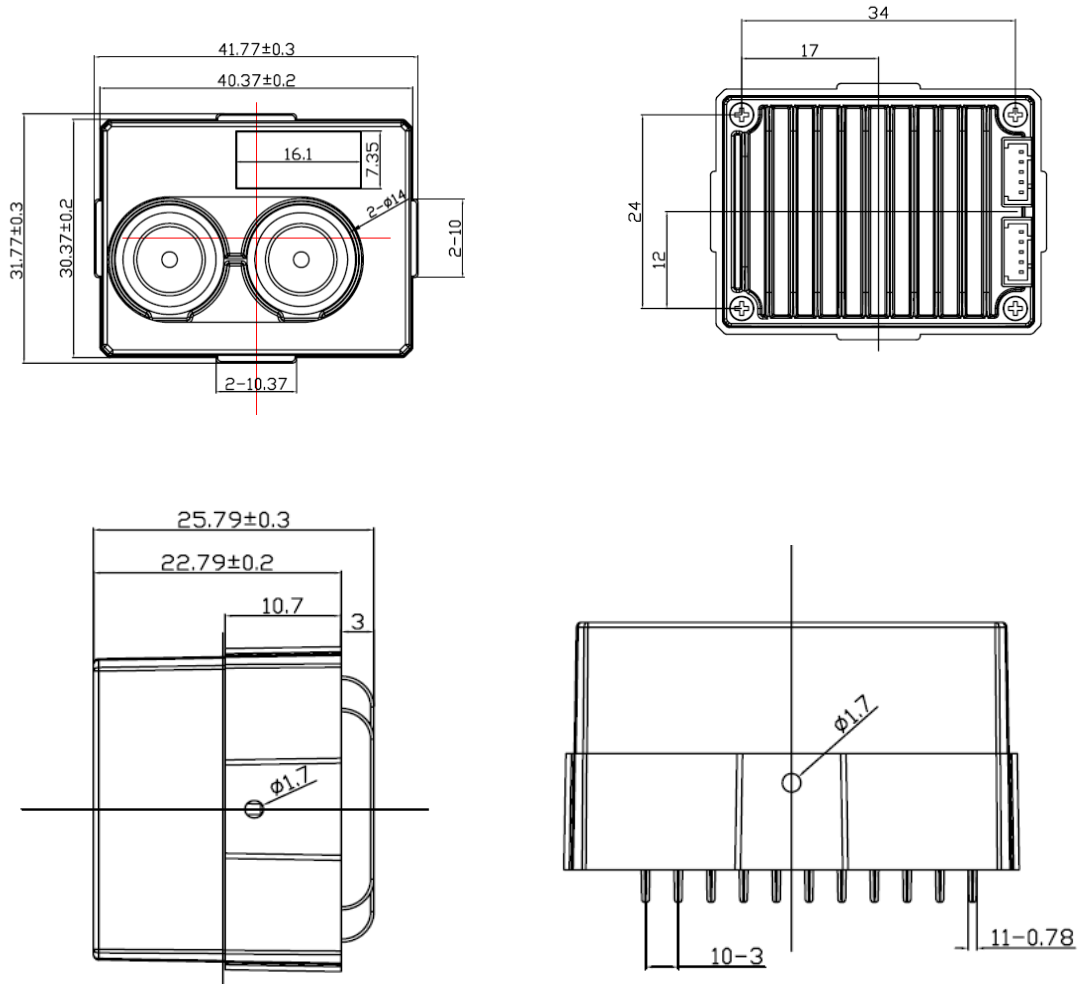
- professional SDK support for second develop. 专业的 SDK 支持二次开发

- VID&PID(公司&产品识别码): IR:1871& 1501 / ASPIRE***** RGB:1871& 1130 / ASPIRE*****

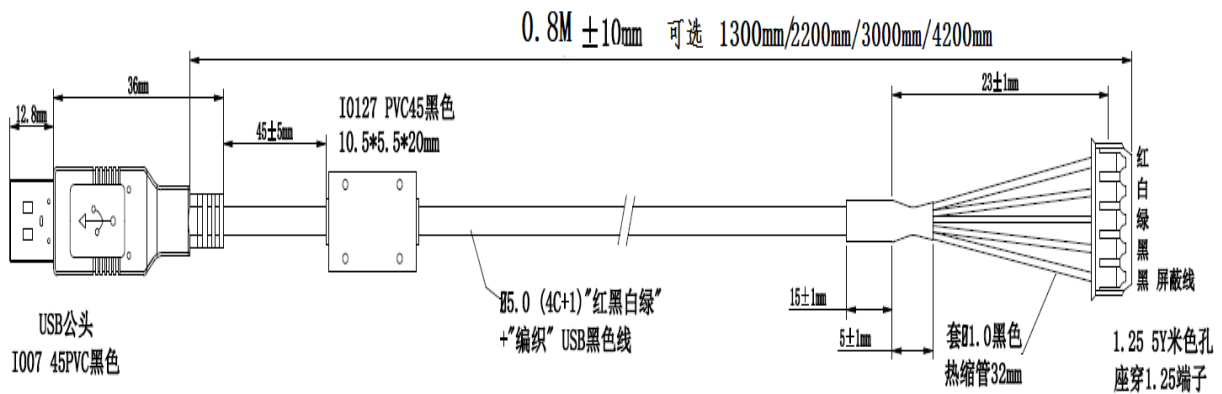


3.Product Dimension (产品尺寸)

A.C-RP38WTLIR 规格书



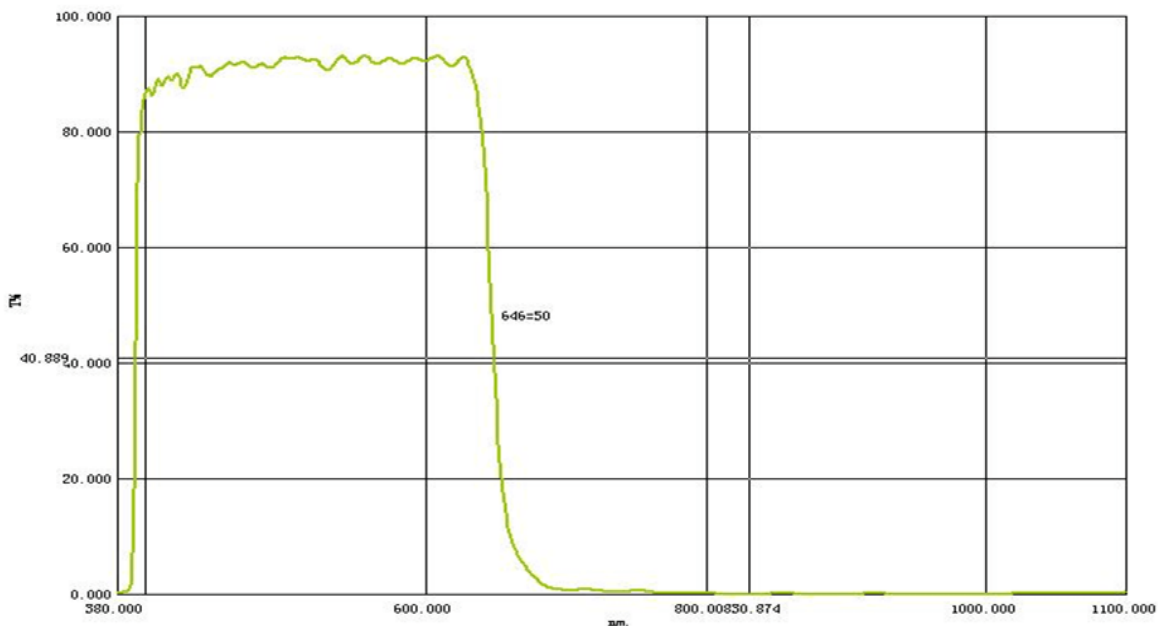
B.USB2.0 data line specification 数据线规格书



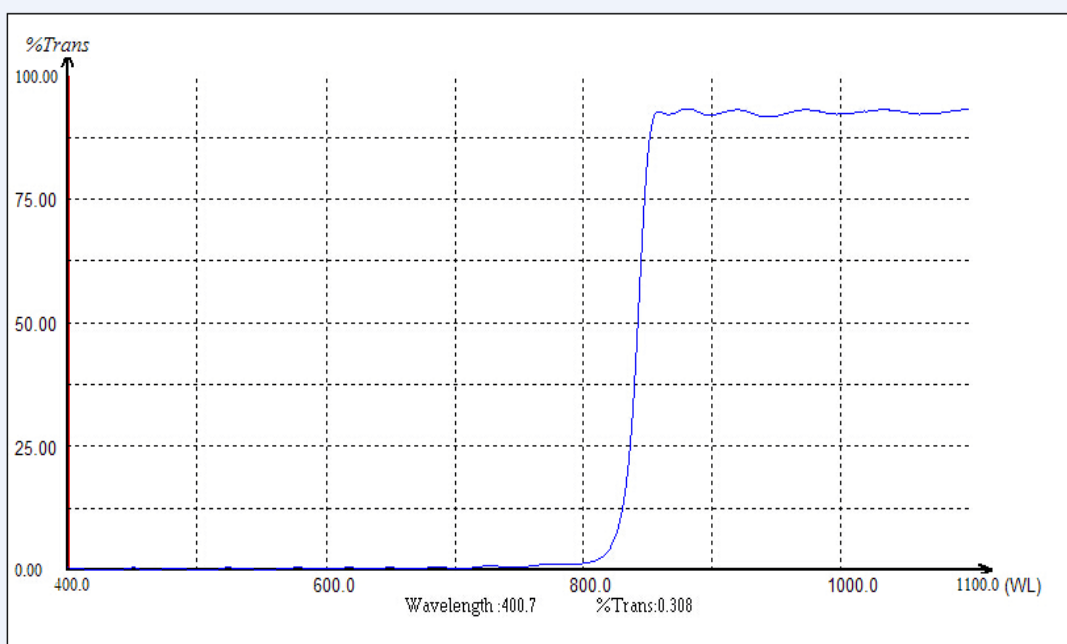


4.Filter wavelength (滤光片光谱)

C1.RGB Filter wavelength (彩色滤光片光谱)



C2.IR Filter Wavelength(黑白滤光片光谱)





5.LENS Specification(镜头规格书)

PRODUCT NAME : PO/2018

1. SPECIFICATION:

- RESOLUTION 5M
- MAX IMAGE CIRCLE $\phi 6.6$ mm
- FOCAL LENGTH (EFL) $f = 3.18 \pm 5\%$ mm
- F/NO (INFINITE) $F/NO = 2.0 \pm 5\%$
- BACK FOCAL LENGTH $BFL = 3.80 \pm 0.2$ mm
- FLANGE BACK LENGTH $FB = 2.85 \pm 0.2$ mm
- Thread Size M1.2*P0.5
- Element XG2P

NOTE

SENSOR		SPECIFICATION	
Sensor	1/3" OV4689	1/3" AR0130	1/2.7" AR0230
Vertical	51.2*1.543mm	59.0*1.822mm	54*1.838mm
Horizontal	80.0*2.723mm	73.0*2.416mm	84*2.90mm
Diagonal	89.0*3.162mm	86.0*3.027mm	91.0*3.30mm
FOV			
Vertical	80.0°	73.0°	84.0°
Horizontal	89.0°	86.0°	91.0°
Diagonal	89.0°	86.0°	91.0°
DISTORTION	$\leq 0.1\%$	$\leq 0.1\%$	$\leq 0.1\%$
Relative Ill.	$\leq 0.2\%$	$\leq 0.1\%$	$\leq 0.2\%$
CRA	$\leq 0.1^\circ$	$\leq 0.1^\circ$	$\leq 0.1^\circ$

2. OPTICAL LAYOUT:

REV	DESCRIPTION	DATE	NAME	NAME	PO/2018	SCALE	DRAWN
①	新规格作成	2018.3.20		VIEW	REV 00		
②							
③					ASPIRE . CO		CHECKED
④						BORDER	APPROVED

PRODUCT NAME : PO/2017

1. SPECIFICATION:

- RESOLUTION 5M
- MAX IMAGE CIRCLE $\phi 6.6$ mm
- FOCAL LENGTH (EFL) $f = 3.18 \pm 5\%$ mm
- F/NO (INFINITE) $F/NO = 2.0 \pm 5\%$
- BACK FOCAL LENGTH $BFL = 3.80 \pm 0.2$ mm
- FLANGE BACK LENGTH $FB = 2.85 \pm 0.2$ mm
- Thread Size M1.2*P0.5
- Element XG2P+IR
- IR FILTER SPEC.(Built-in,Others available)
 - Tavg $\geq 88\%$ $\phi 440-520$ nm
 - T=50% $\phi 648 \pm 10$ nm
 - Tavg $\leq 5\%$ $\phi 680-780$ nm
 - T=50% $\phi 820 \pm 10$ nm
 - Tavg $\geq 88\%$ $\phi 840-860$ nm
 - T=50% $\phi 880 \pm 10$ nm
 - T $\leq 5\%$ $\phi 920-1100$ nm

NOTE

SENSOR		SPECIFICATION	
Sensor	1/3" OV4689	1/3" AR0130	1/2.7" AR0230
Vertical	51.2*1.543mm	59.0*1.822mm	54*1.838mm
Horizontal	80.0*2.723mm	73.0*2.416mm	84*2.90mm
Diagonal	89.0*3.162mm	86.0*3.027mm	91.0*3.30mm
FOV			
Vertical	80.0°	73.0°	84.0°
Horizontal	89.0°	86.0°	91.0°
Diagonal	89.0°	86.0°	91.0°
DISTORTION	$\leq 0.1\%$	$\leq 0.1\%$	$\leq 0.1\%$
Relative Ill.	$\leq 0.2\%$	$\leq 0.1\%$	$\leq 0.2\%$
CRA	$\leq 0.1^\circ$	$\leq 0.1^\circ$	$\leq 0.1^\circ$

2. OPTICAL LAYOUT:

REV	DESCRIPTION	DATE	NAME	NAME	PO/2017	SCALE	DRAWN
①	新规格作成	2018.3.20		VIEW	REV 00		
②							
③					ASPIRE . CO		CHECKED
④						BORDER	APPROVED

6.Cover proportion(mm) (外壳成份)

NO.	component	Proportion	NOTE
1	ZN	96.2000%	
2	CU	0.0160%	
3	Aluminum	3.7000%	
4	Fe	0.0030%	
5	Pb	0.0025%	
6	Sn	0.0004%	
7	Mg	0.0030%	

7. Modes of packing (包装方式)

