

USB2.0 500万 90° 广角无畸变摄像头

1. SPECIFICATIONS(规格书)

Signal	NTSC	PAL	REMARKS	
Scanning System (扫描方式)	Rolling scan			
Scanning Frequency(H) (扫描频率)	30HZ	30HZ		
Scanning Frequency(V)	59.9HZ	50HZ		
Image Sensor (图像感光片)	1/2.5" CMOS	1/2.5" CMOS	Aptina	
Effective Pixels (有效像素)	2048x1536	2048x1536		
Pixel size (像素点大小)	2.2umX2.2um			
Image sensor Data output (数据输出类型)	MIPI10bits Raw Data			
Video Compressor (压缩格式)	YUY2/MPJG			
Resolution&Maximum Frame Rates (分辨率和帧率)	2592x1944 at 25fps 2048x1536 at 25fps 1920x1080 at 30fps 1600x1200 at 30fps 1280x960 at 30fps 1080x1920 at 30fps 1024x768 at 30fps 800x600 at 30fps 720x1280 at 30fps 640x480 at 30fps 352x288 at 30fps 320x240 at 30fps 160x120 at 30fps		MJPG (Default)	
Resolution&Maximum Frame Rates (分辨率和帧率)	2592x1944 at 1fps 2048x1536 at 2fps 1920x1080 at 5fps 1080x1920 at 5fps 1600x1200 at 5fps 1280x960 at 10fps 1280x720 at 10fps 720x1280 at 10fps 1024x768 at 20fps 800x600 at 20fps 640x480 at 30fps 352x288 at 30fps 320x240 at 30fps 160x120 at 30fps		YUY2	
SNR max (信噪比)	≥50dB			
Dynamic range (动态范围)	≥70dB			
VID&PID(公司&产品识别码)	1871&FFA2			
Device Name(设备名称)	ZM-CL512			
Lens Mount (可搭配镜头类型)	M12x0.5mm (3.5MM)			
Lens view (默认镜头)	D=90° H=78° V=62°			
Dep view (景深) (CM)	40~∞			
Min. Illumination (最低照度)	0.1LUX at F1.2			
Digital interface (连接接口)	5-pin 1.25mm USB2.0			
Transfer rates (接口速度)	480MB/S			
Power requirements (电源)	5V±5%			
Power Consumption (功率)	Max1W			
Dimension(Product)(整机尺寸)mm	30X30x21.5±0.5MM			
Weight (重量)	45g			
Operating temperature(°C)(稳定工作温度)	-30~70 °C			
Storage temperature(°C)(储存温度&湿度)	-40~80 °C/0~90RH			
Compliance (产品标准)	USB-IF WHQL CE RoHS			
Warranty(质保期)	1years			
OS (支持系统)	Windows XP sp2/vista/seven/8.1/10/Mac/Android/linux2.6.2			
USB CONN (USB 接口定义)	1	5V	USB POWER	500mA
	2	DM	-	D-
	3	DP	-	D+
	4	GND	-	DGND
	5	COVER	-	Shield

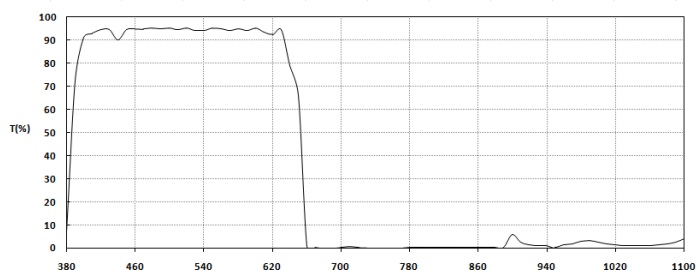
Attention:

1. Brightness Sharpness Contrast Hue Saturation Gamma White balance Back light

Exposure can be controlled by manual;

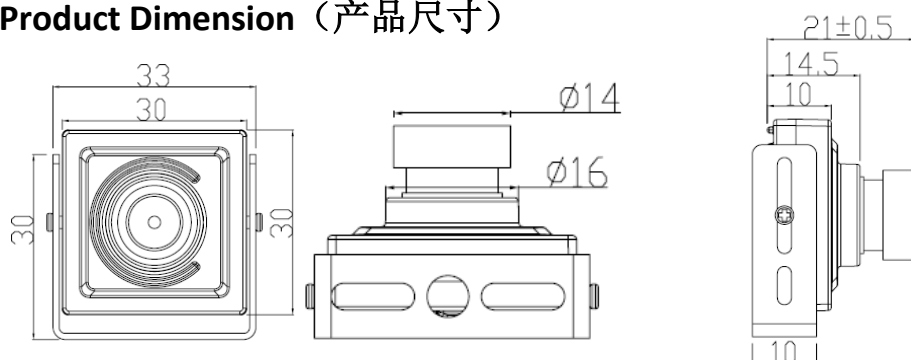
2. professional SDK support for second develop.

2.Filter (滤光片)



RGB Filter (彩色滤光片)

3.Product Dimension (产品尺寸)



4.Cover proportion(mm) (外壳成份)

NO.	component	Proportion	NOTE
1	ZN	96.2000%	
2	CU	0.0160%	
3	Aluminum	3.7000%	
4	Fe	0.0030%	
5	Pb	0.0025%	
6	Sn	0.0004%	
7	Mg	0.0030%	

5. Modes of packing (包装方式)

