



## EP17WDLDIRV403 USB2.0 RGB/IR Lens Double Camera

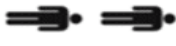


1.Product feature(产品特性)	2
2. SPECIFICATIONS(规格书)	3
3. Product (产品尺寸)	4
4. Filter wavelength(滤光片光谱)	5
5.LENS Specification(镜头规格书)	6
6. Cover Proportion (外壳成份)	6
7. Modes of packing (包装方式)	6



## USB2.0 RGB/IR Lens Double Camera

### 1.Product feature(产品特性)

- 1/2.7"工业级 200 万高清图像传感器
- RGB:115DB 宽动态, IR: 80DB 适合复杂的光线环境
- 73.5° (对角) 超广角无畸变高清 300W 像素高清镜头
- 80CM 到无限远清晰成像
- 1500TVL 清晰度
- 0.01Lux (F=1.2) 超低照效果
- 3.0W 功耗
- -30°C~+70°C宽温度范围稳定工作
- 专业 USB-IF WHQL ROHS CE (4KV/8KV) 认证 (可通过)
- USB2.0 高速传输
- 设备名称 厂家 PID&VID 等描述信息多样化定制
- UVC 架构, 兼容 Windows XP&7&8.1&LINUX&MAC 多种系统
- 长达 1-5 年的质保期&13 万小时无故障寿命
- 标准 AWM 2725 28AWG/IP 24AWG/2C USB2.0 线
- 平台最低配置: CPU 1.7GHZ 512MB 内存 40GB 硬盘 XP SP2 系统
-  双目竖版成像更适应于通道场景应用



## 2. SPECIFICATIONS (规格书)

Signal	2M(IR) B/W	2M(RGB) WDR	REMARKS
Scanning System (扫描方式)	Progressive scan		
Scanning Frequency(H) (扫描频率)	25HZ	25HZ	
Scanning Frequency(V)	N:59.9HZ/P:50HZ	N:59.9HZ/P:50HZ	
Image Sensor (图像感光片)	1/2.7" CMOS	1/2.7" CMOS	Aptina
Effective Pixels (有效像素)	1920*1080	1920*1080	
Pixel size (像素点大小)	3.0umX3.0um	3.0umX3.0um	
Image sensor Data output (数据输出类型)	Raw Data 12bits		
Video output (输出格式)	MPJG / YUY2		
Maximum Frame Rates (分辨率和帧率)	1920x1080 at 30fps /1280x1024 at 30fps /1280x768 at 30fps /1024x720 at 30fps /960x540 at 30fps /800x600 at 30fps /640x480 at 30fps/352*288 at 30fps/320*240 at 30fps/160*120 at 30fps	1920x1080 at 30fps /1280x1024 at 30fps /1280x768 at 30fps /1024x720 at 30fps /960x540 at 30fps /800x600 at 30fps /640x480 at 30fps/352*288 at 30fps/320*240 at 30fps/160*120 at 30fps	MJPG
Maximum Frame Rates (分辨率和帧率)	1920x1080 at 5fps /1280x1024 at 10fps /1280x768 at 10fps /1024x720 at 10fps /960x540 at 15fps 800x600 at 20fps /640x480 at 30fps/352*288 at 30fps/320*240 at 30fps/160*120 at 30fps	1920x1080 at 5fps /1280x1024 at 10fps /1280x768 at 10fps /1024x720 at 10fps /960x540 at 15fps 800x600 at 20fps /640x480 at 30fps/352*288 at 30fps/320*240 at 30fps/160*120 at 30fps	YUY2
SNR max (信噪比)	≥50dB	≥50dB	
Dynamic range (动态范围)	≥80dB	≥115dB	
Min. Illumination (最低照度)	≥0.01LUX at F1.2	≥0.01LUX at F1.2	NO LED
Digital interface (连接接口)	1*2-pin 1.25mm//2*GH5*1.25 mmUSB2.0		
Transfer rates (接口速度)	480MB/S		
Power requirements (电源)	5V±0.5		
Power Consumption (功率)	NO LED	Max 1.8W	
	IR-LED	Max 3.0W	
LED IR-850(红外灯光强)	≤90° 1.0m	NO	LED
Lens Mount (可搭配镜头类型)	M9/ V= 65° H=40°		
Lens view (默认镜头)	M9/ V= 65° H=40°		LENS
Dimensions(PCBA) mm尺寸	70mm*17mm*12mm		长*高*深
OS (支持系统)	Windows XP /vista/seven/8.1/Mac linux2.6.2(include UVC )		
General Purpose辅助接口定义	5V+	LED+	250mA max
	GND	LED-	
USB CONN接口定义	1	5V	USB POWER-500mA max
	2	DM	D+
	3	DP	D-
	4	GND	DGND
	5	COVER	SHIELD

### Common (简介)

Attention: 注意:

- Brightness Sharpness Contrast Hue Saturation Gamma Automatic white balance Back light Exposure can be controlled ; 亮度; 锐度; 对比度; 色温; 饱和度; 伽马; 白平衡; 曝光可以控制;

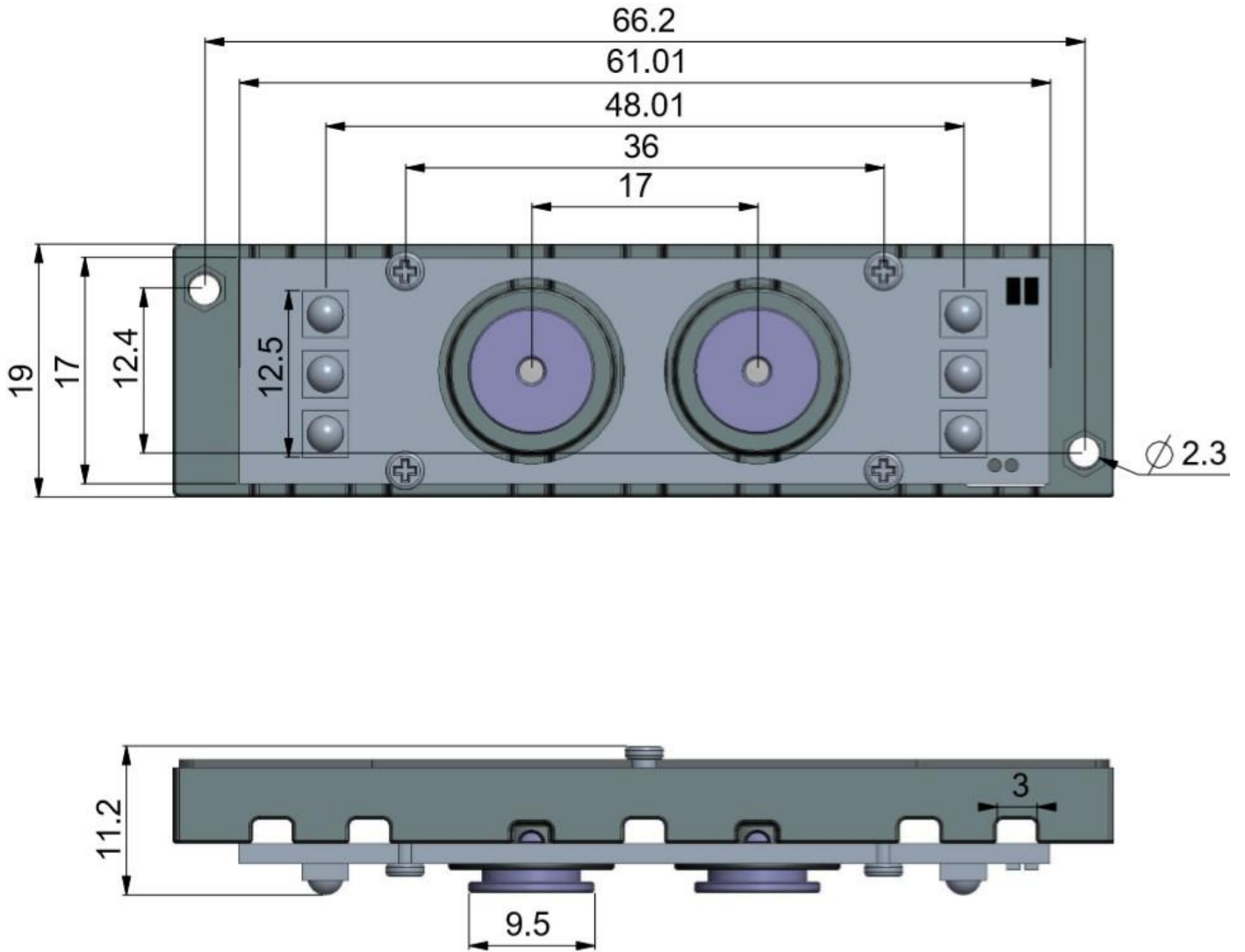
固化参数	亮度	对比度	色调	饱和度	清晰度	伽玛	白平衡	逆光对比	增益	曝光	镜像
最小值	-64	0	-40	0	0	72	2800	0	0	-13	0
最大值	64	64	40	128	6	500	6500	2	100	-1	3

- professional SDK support for second develop. 专业的 SDK 支持二次开发

3. VID&PID(公司&产品识别码): IR:1871& 1501 / ASPIRE\*\*\*\*\* RGB:1871& 1130 / ASPIRE\*\*\*\*\*

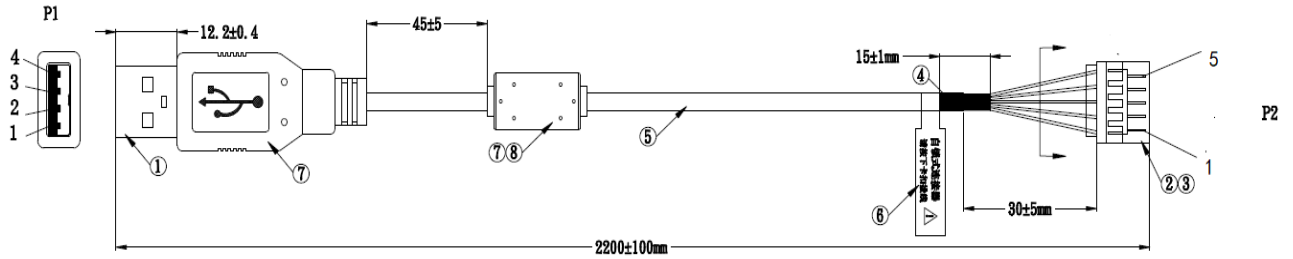


### 3.Product Dimension (产品尺寸)

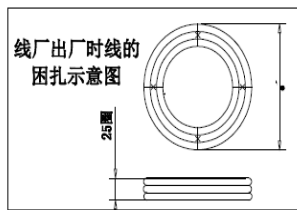
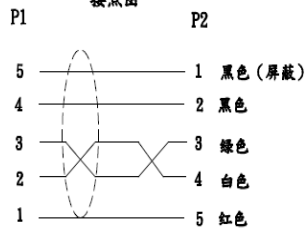




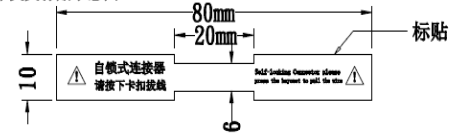
### B.USB2.0 data line specification 数据线规格书



接点图



中英文标贴示意图:



备注:

1. 成品须做100%电性测试, 不能有断路, 短路, 错位, 间歇接触不良等状况
2. 导通阻抗 $3\Omega$ ; 绝缘 $5M\Omega$ ; DC300/0.01s;
3. 所有物料需符合普通环保要求

材质: 不干胶 字体颜色: 黑色

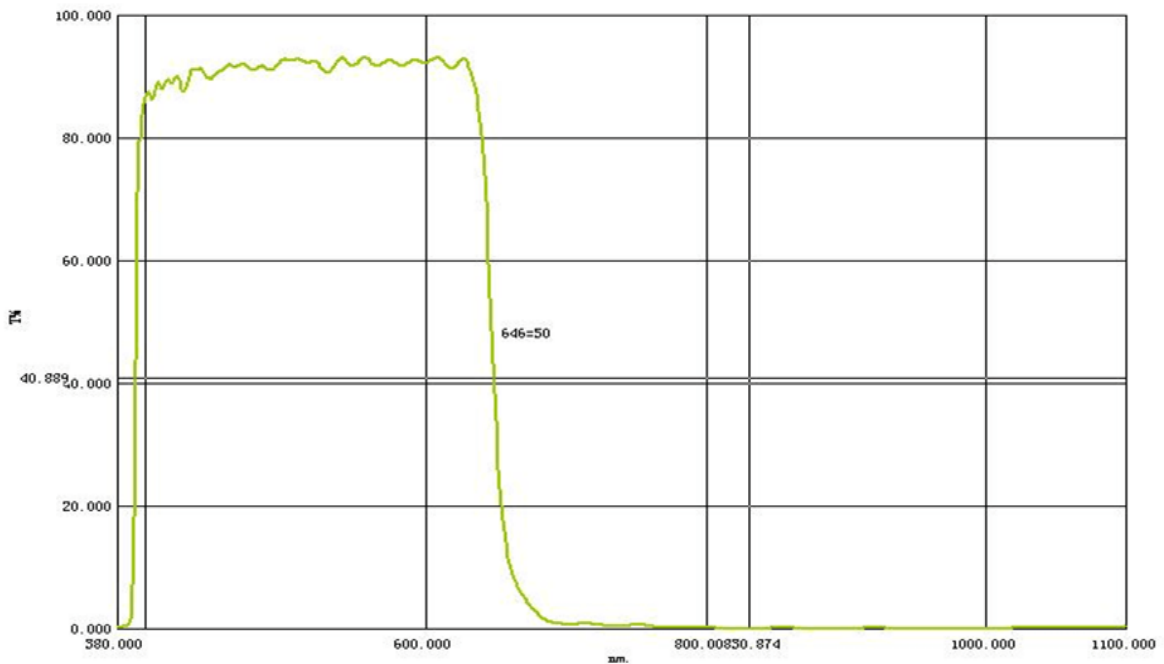
标贴内容:

自锁式连接器 自锁式连接器  
请按下方扣拔线 please press the legend to pull the wire

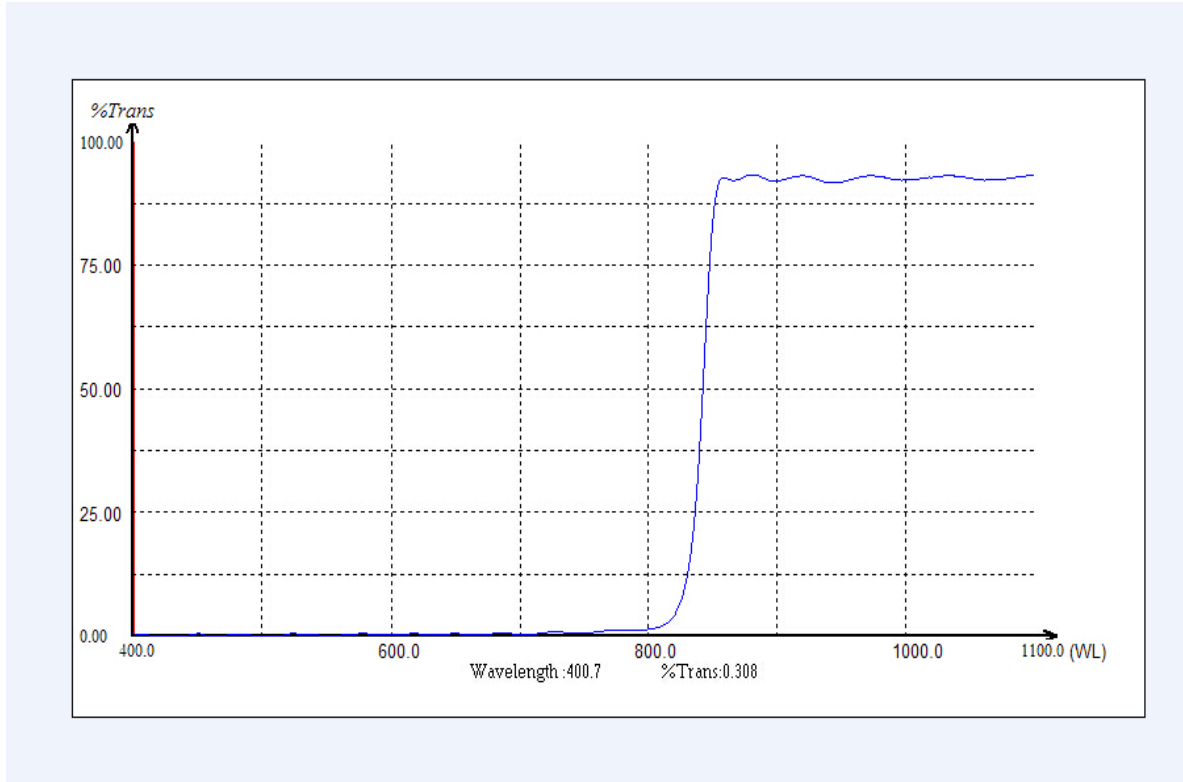
⚠: 黑色边框黄色警告标示

### 4.Filter wavelength (滤光片光谱)

#### C1.RGB Filter wavelength (彩色滤光片光谱)



#### C2.IR Filter Wavelength(黑白滤光片光谱)



5.LENS Specification(镜头规格书)

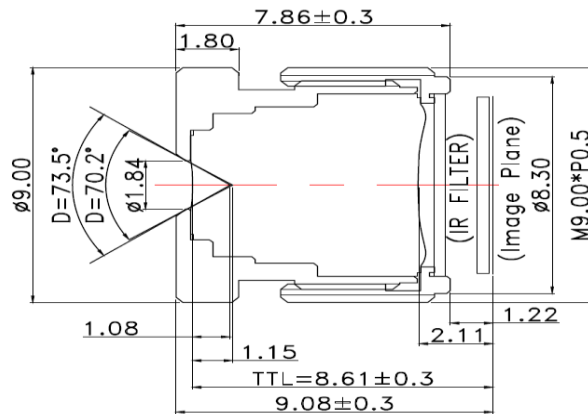
PRODUCT NAME : PO/0018

1. SPECIFICATION:

1.RESOLUTION	<u>3M</u>
2.MAX IMAGE CIRCLE	<u>ø6.80 mm</u>
3.FOCAL LENGTH (EFL)	<u>f= 4.42±5% mm</u>
4.F/NO (INFINITE)	<u>F/NO= 2.40±5%</u>
5.BACK FOCAL LENGTH	<u>BFL= 2.11±0.2 mm</u>
6.FLANGE BACK LENGTH	<u>FB= 1.22±0.2 mm</u>
7.Thread Size	<u>M9*P0.5</u>
8.Element	<u>4E+蓝玻璃</u>

NOTE	SPECIFICATION	
Sensor	1/2.7"(OV2735)	1/2.9"(IMX323)
FOV	Vertical	40'(ø3.240)
	Horizontal	65.5'(ø5.760)
	Diagonal	73.5'(ø6.608)
TV-DISTORTION	<0.5%	<0.5%
Relative Ill.	>42%	>49.6%
CRA	<15.4'	<15.4'

2. OPTICAL LAYOUT:



REV	DESCRIPTION	DATE	NAME	NAME	PO/0018			SCALE	DRAWN
①	新规作成	2019.6.20		VIEW	▷ ⊕	REV	00		
②					ASPIRE			DATE	CHECKED
③								BORDER	APPROVED
④									

6.Cover proportion(mm) (外壳成份)



NO.	component	Proportion	NOTE
1	ZN	96.2000%	
2	CU	0.0160%	
3	Aluminum	3.7000%	
4	Fe	0.0030%	
5	Pb	0.0025%	
6	Sn	0.0004%	
7	Mg	0.0030%	

### 7. Modes of packing (包装方式)

